

WELCOME TO **HAVEN**





HAVEN IS A SHELTER IN THE SUN
AND A BREAK FROM THE INDOORS



It's for togetherness...or distance. At the office or on campus. At the park, soccer field, or concert.

Find abundant solar energy for phones and laptops. Or a speaker, or a scooter. Batteries keep you powered for days... and nights, with Haven's elegant lighting.

Haven is designed to be flexible. Opt for a standing-height table or a large seating area. Add internet access or e-bike charging. Add signs and digital content to deliver your clean energy message.

ENJOY **MORE** OUTDOORS

People want to be outside, whether they're working, eating or hanging out. So, they need space, shade, and shelter. And they need power.

SHADE AND COMFORT

Haven offers a large canopy over a generous table of premium material that stays cool. Seating is solid ash wood, thermally enhanced for a long life.

SOLAR ENERGY AT THE READY

Bi-facial solar panels power 16 places to charge up, along with tasteful LED lighting. For cloudy weather, there's battery backup for three days.

CLEAN ENERGY STATEMENT

Haven makes solar power beautiful and encourages care for the environment. It uses recycled and natural materials. Available signs and digital content amplify your message.



DISTINCTIVE FEATURES



16 CHARGE POINTS

- 4 wireless
- 4 USB A, 4 USB C
- 4 120V outlets
- Programmable on/off times

NETWORK ACCESS AND REMOTE MANAGEMENT

- Add wifi, hot spot, or sensors
- Online monitoring and programming

ELEGANT LED LIGHTING

- Simple programming
- Warm LED light, 3000K color

SIGNAGE

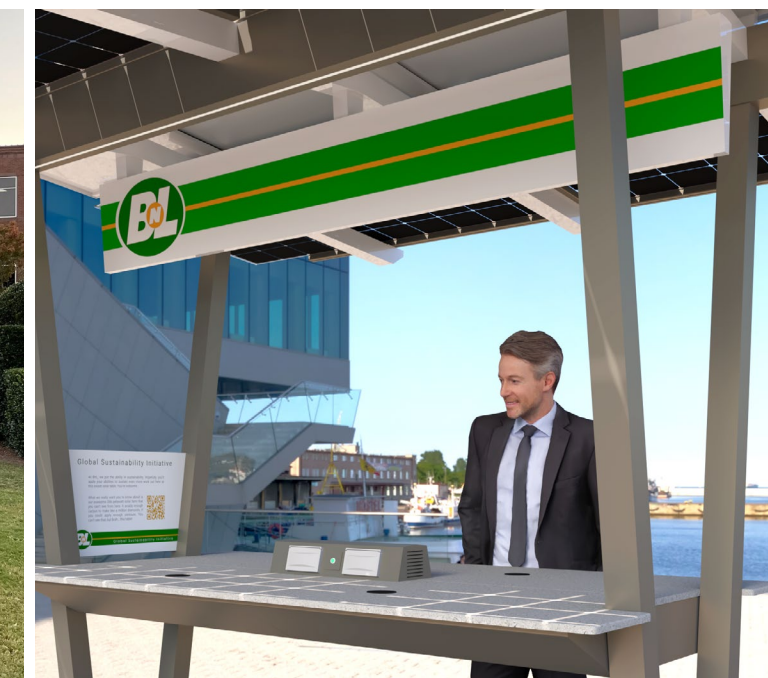
- Upper position for brand sponsorship
- Lower positions for user engagement

LARGE SOLAR CANOPY

- 115 square feet of shade and rain cover
- Frameless, bi-facial solar panels, 1.6 kW solar capacity
- Withstands Category 5 hurricanes
- Lithium batteries for 3-day backup and fast recharge

GENEROUS TABLE AND SEATING

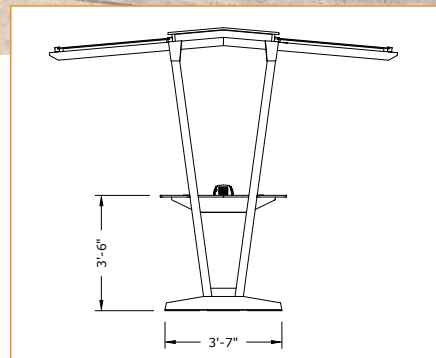
- Solid countertop material is durable and stays cool
- Ash wood, thermally-modified for long life
- Seating for eight, no center pole obstruction
- Wheelchair access with optional space between seats



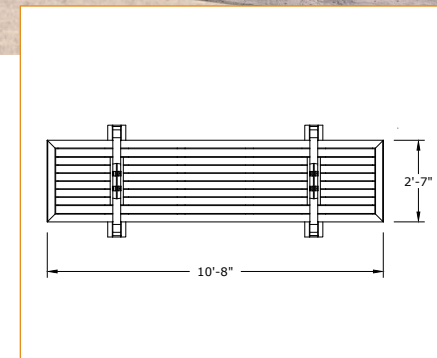
CONFIGURATION ALTERNATIVES



STANDING HEIGHT TABLE
shown with small sign option



LARGE BENCH SEATING
shown with large sign option



AVAILABLE ACCESSORIES AND CONFIGURATIONS

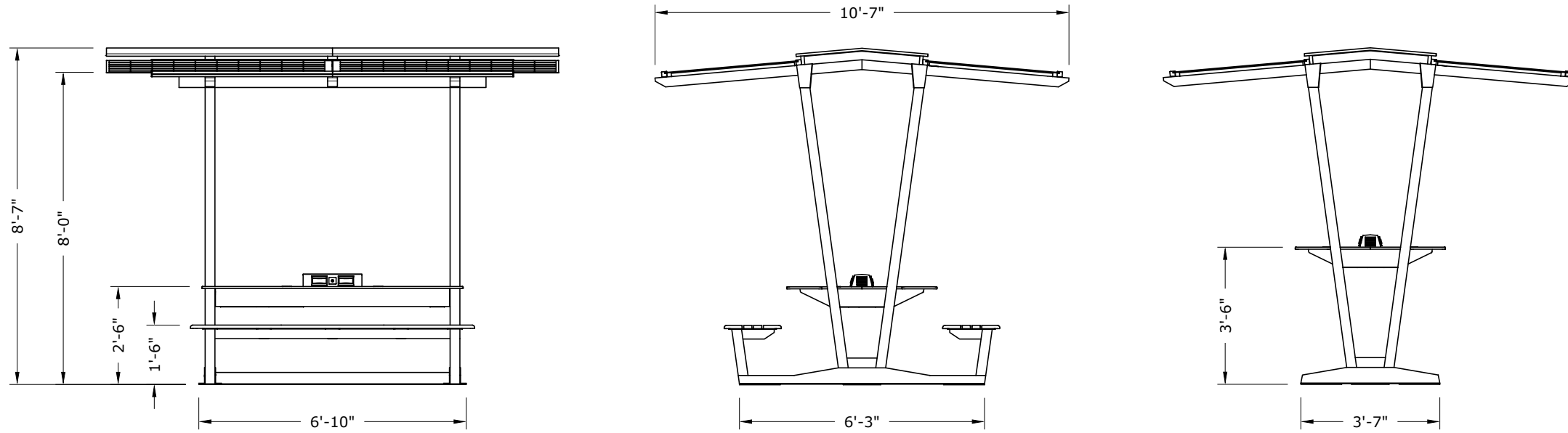
- Standing height table
- Large bench, seating only
- Split bench seating for wheelchair access
- Integrated LED lighting with increased battery capacity
- E-bike, scooter charging and locking rail
- Small or large signs
- Custom paint and table colors
- Network Ready Kit
- Remote Monitoring Kit



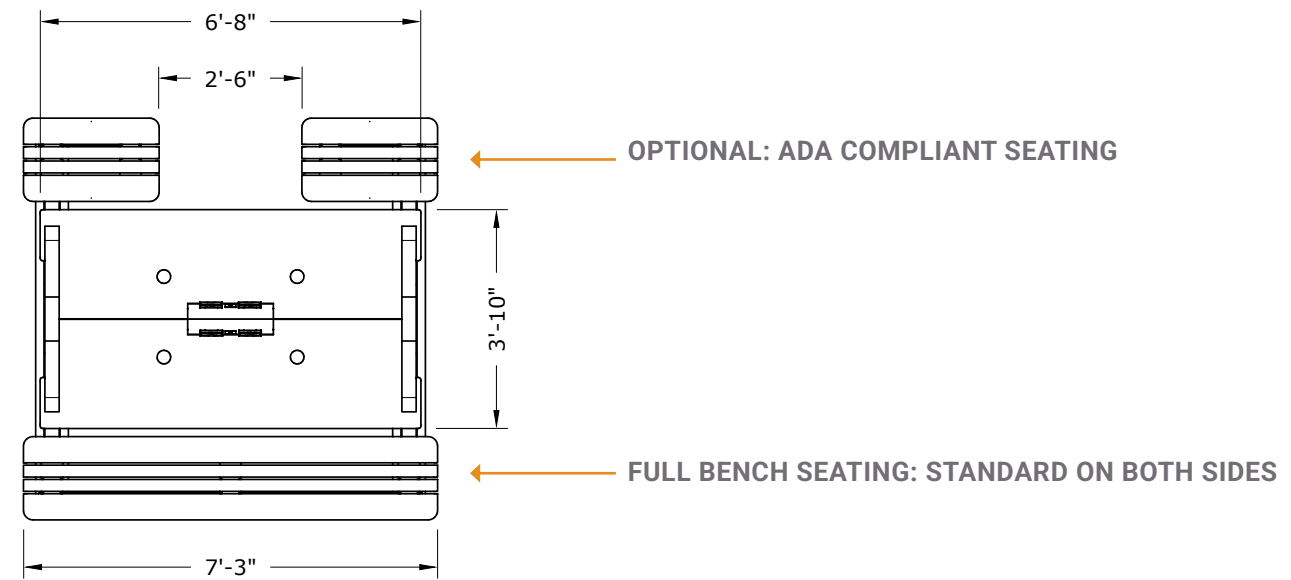
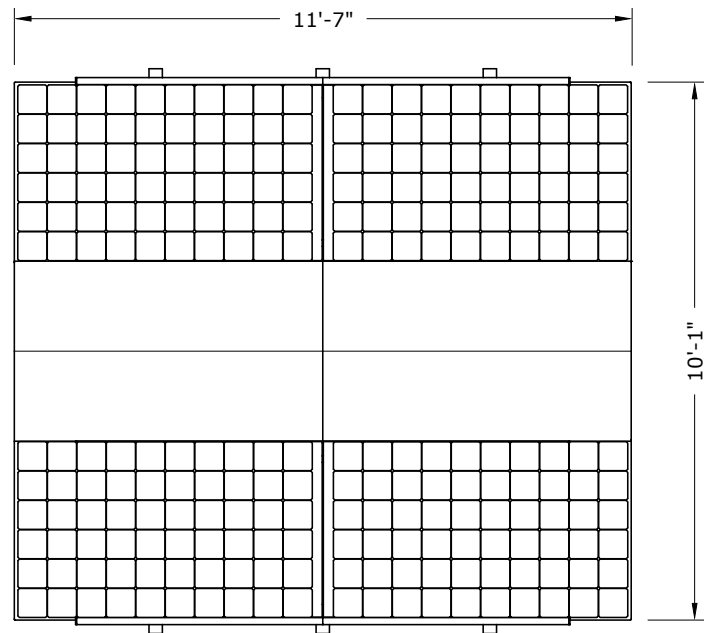
HAVEN SPECIFICATIONS



DIMENSIONS



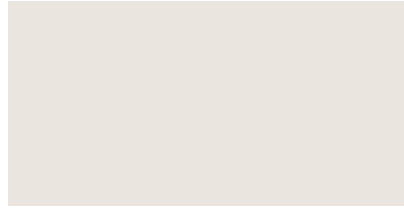
*Dimensions of solar panels based based on manufacturer projections; actual to be confirmed based on availability.



STANDARD COLORS AND MATERIALS



MAIN STRUCTURE
Warm Gray on aluminum



ROOF AND SUPPORTING PURLINS
Gray White on aluminum

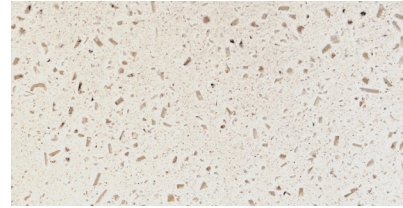


TABLE
Seashell
Recycled solid surface acrylic



BENCHES
Thermally modified ash wood

*Customization of colors available.

POWER SPECIFICATIONS

Haven is designed to support multiple users and devices, with three days of clean energy reserves in case of cloudy weather. Lithium batteries are used for long life and high performance in a range of temperatures.

	WITHOUT LIGHTING	WITH LED LIGHTING – 2,000 LUMENS
SOLAR CAPACITY	1.6kW including 15% bifacial bonus	
BATTERY CHEMISTRY	Lithium-Iron-Phosphate (safest per FAA), fast recharging	
LITHIUM BATTERY CAPACITY	1,770Wh (24V, 69Ah)	2950Wh (24V, 115Ah)
DEPTH OF DISCHARGE	90% (lithium's full capacity is available vs. AGM's 50%)	
LITHIUM BATTERY LIFETIME	10 years (3X vs. AGM)	
MAX CONTINUOUS LOAD, AC OUTLETS	650W @ 75° F	
POWER OUTLETS	4 wireless, 4 120VAC, 4 USB A, 4 USB C (owner can leave out 120V outlets)	
3-DAY ENERGY RESERVES (EACH DAY)	8 phones charged AND 8 hours of laptop charging	8 phones charged AND 8 hours of laptop charging AND 6 hours of lighting

OTHER SPECIFICATIONS

STRUCTURE AND ROOF	Aluminum (corrosion resistant)
COATING	Powder coat, AAMA 2604 and 2605 weathering ratings
BENCHES	Thermally modified solid ash wood (20+ years)
TABLE	Recycled solid surface acrylic (or HDPE for waterfront)
SEATING	Up to 8 people; wheelchair option in center
LOADING	Wind up to 175 MPH, snow 80 PSF
WEIGHT	935 lbs
MADE IN USA	Meets requirements under Inflation Reduction Act

WARRANTY

	STANDARD	COASTAL (within 2 miles of major body of water)
MATERIALS AND WORKMANSHIP	10 years	5 years
COATING	4 years	2 years
BATTERIES / ELECTRONICS	8 years batteries / 5 years other electrical components	
SOLAR PANELS	30 years production / 10 years workmanship	

OTHER INFORMATION

PACKAGING AND HANDLING: Ships in fully contained wooden crates. A forklift is advised for unloading the truck, but not necessary. To move components to installation location, crates can be unpacked and contents carried by two people.

INSTALLATION can be accomplished by three people with mechanical skill, with proper preparation and tools, in half a day.

MAINTENANCE required is minimal, including cleaning of surfaces, and occasional sealing of wood benches, depending on location. Eventually, batteries will need replacement, but not for 10 years or more.



Corporation

SPOTLIGHT SOLAR IS UP TO SOMETHING GOOD.

Spotlight Solar is dedicated to making solar energy visible and attractive. Our ambition is to promote the adoption of solar energy by making it more visible and engaging.

UPDATED 10.15.2022



VISIT [SPOTLIGHTSOLAR.COM](https://www.spotlightsolar.com)
OR EMAIL [INFO@SPOTSOLAR.COM](mailto:info@spotsolar.com)

spotlight solar®

